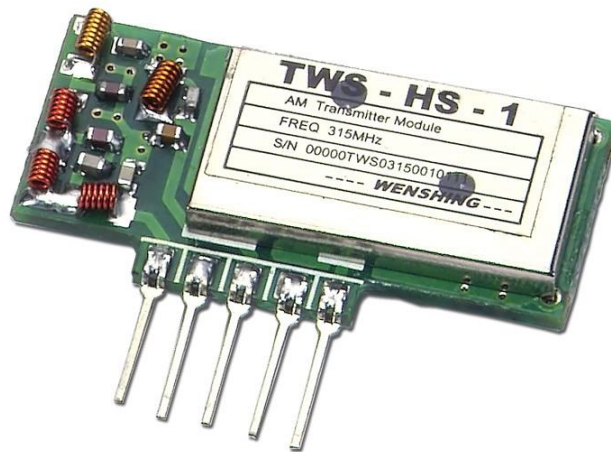


---

**Wireless High Power Transmitter Module (RF ASK)**

---

**Version History**

Version	Date	Changes
V1.01	Dec.13,2002	1 <sup>st</sup> . Edition
V1.02	Aug.20, 2007	2 <sup>nd</sup> . Edition
V1.03	Mar.15, 2008	3 <sup>rd</sup> . Edition
V1.04	Jul.16, 2009	4 <sup>th</sup> . Edition

## Key Feature

- Output Power up to 0.5W
- Voltage Supply from 4.5V to 5.5V
- Transmitter Data Rate 8Kbps

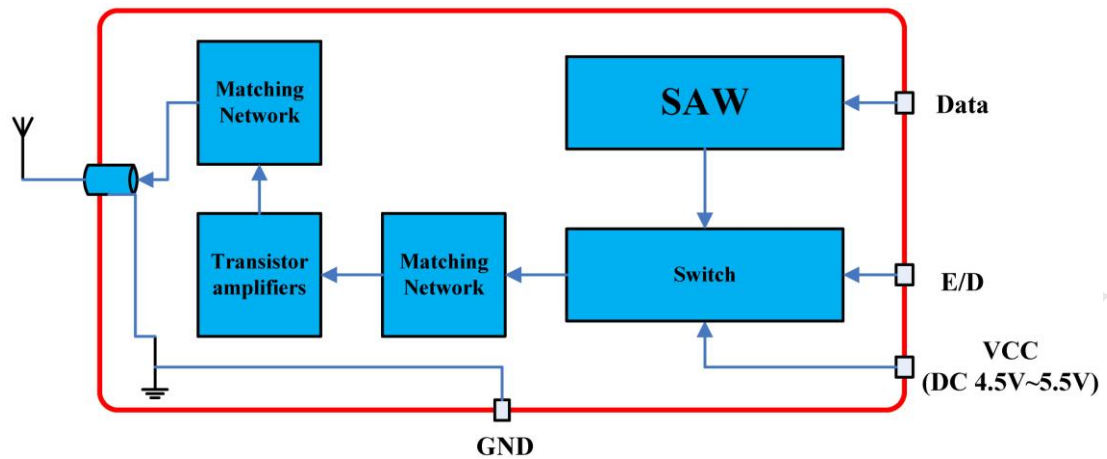
## Application

- Remote control aircraft
- Remote control alarm
- Wireless toy
- Long-distance switch
- Long-distance walkie-talkie

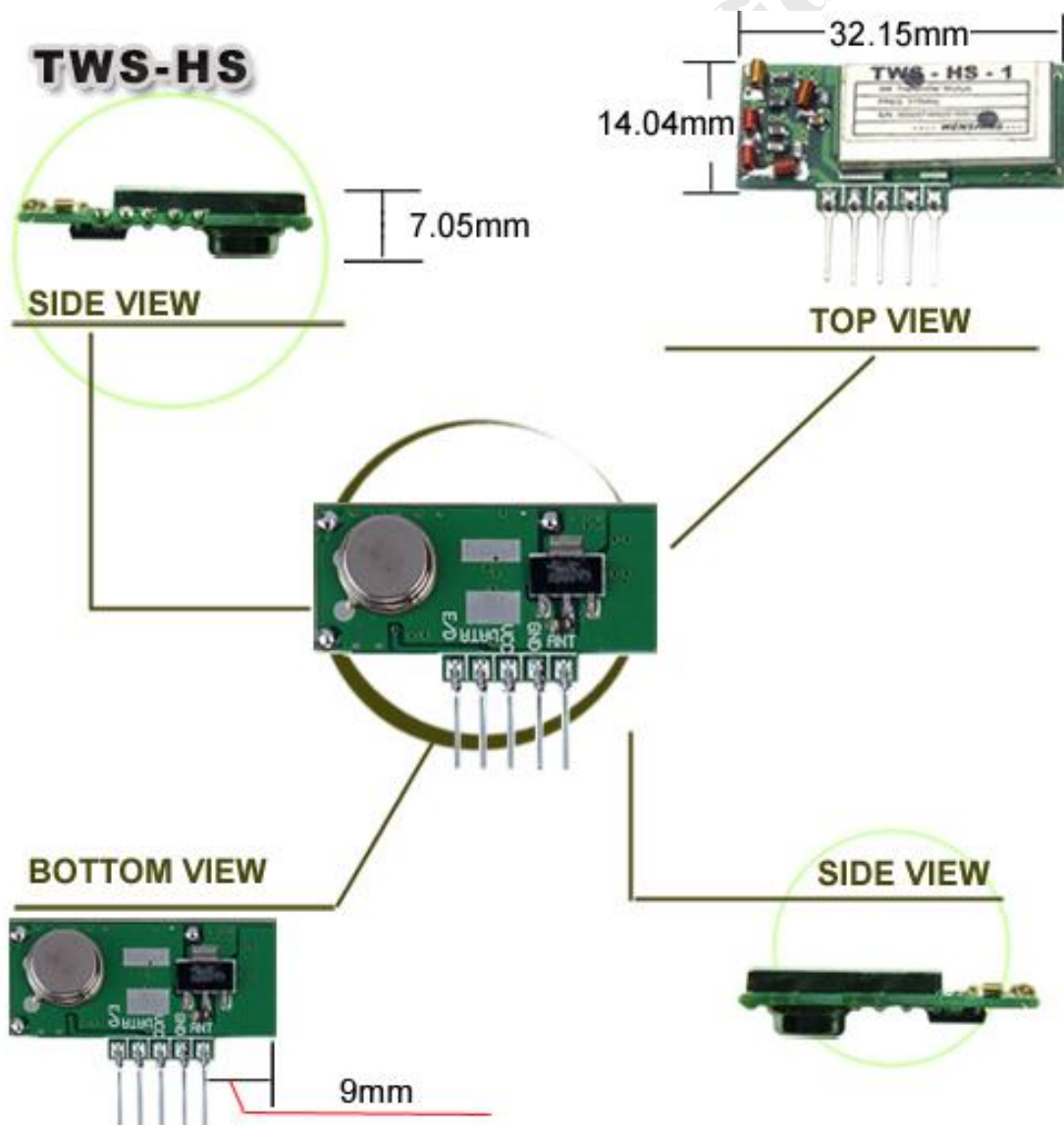
## Characteristic

Parameter	Min	Type	Max	Unit	Condition
<b>Operating Conditions</b>					
Operating Temperature Range	-10		+70	°C	
Soldering Temperature			+230	°C	10sec
Operating Supply Voltage	4.5		5.5	V	
<b>Current Consumption</b>					
Tx Mode			270	mA	0.5W
Standby Mode			33	mA	E/D=H
<b>TWS-HS Series for Frequency</b>					
TWS-HS-1	314.9	315	315.1	MHz	ASK
TWS-HS-2	433.82	433.92	434.02	MHz	ASK
TWS-HS-3	868.25	868.35	868.45	MHz	ASK
<b>RF Characteristic</b>					
Span Range	-100		+100	KHz	
Data Rate			8	Kbps	ASK
Output Power			27	dBm	0.5W
Turn On/Off Time			300	us	
Modulation		ASK			

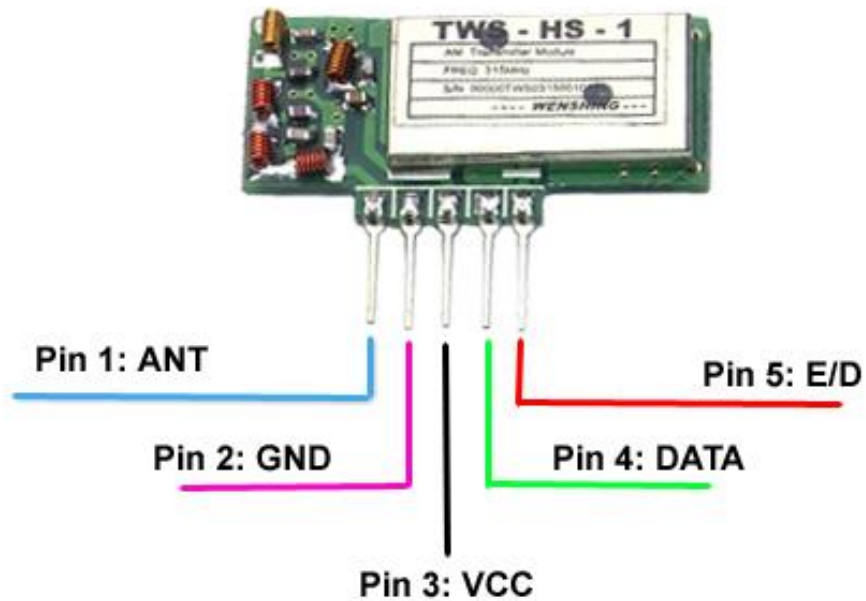
## Block Diagram



## View

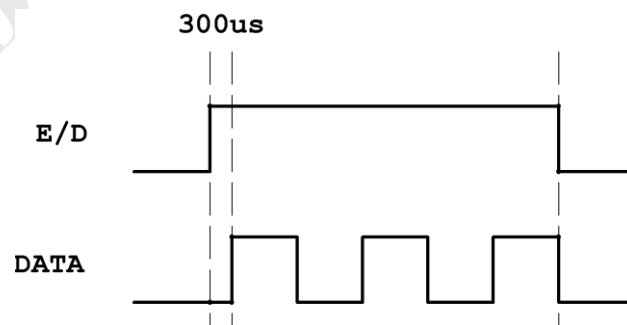


## Pin Assignment



Pin	Function	I/O	Description
1	ANT	ANT	Antenna Interface
2	GND	G	Power Negative
3	VCC	P	Power Cathode
4	DATA	I	Data input
5	E/D	I	Enable and Disable Control

## Timing Diagram



# Application Circuit

